

Final report(NTT group)

Contents

- Objects of this project
- Tours in NTT west & server room
- Summary

Objects of this project

- Increase the number of international students
→tour in big company

Which company should we visit?...

Choose NTT west

- One of the largest facilities in japan
- Cutting edge technologies

Object of this project(in NTT west)

- Get a lecture about ICT
- See facilities in person
- Develop understanding about ICT

Preparation for the tour in NTT west

- Take an appointment
- Hold some meetings
- Recruit participants

After meetings

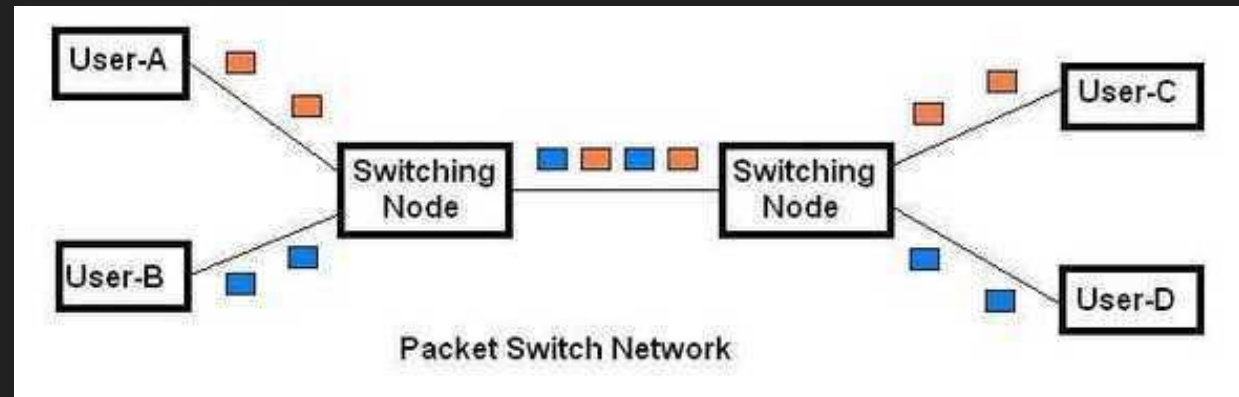
- Prepare for interpretation
- Some cautions → >Keep the place secret
>collect data about participants
- Make a poster

The tour in NTT west

- IP facilities
- Transmission facilities
- Cable tunnel
- Electric power equipment

The tour in NTT west(1/4) – IP facilities

- send and receive data with the method of packet communication.



The tour in NTT west(2/4)-transmission facilities

- Concern the quality of information communication
- Technologies in this part has been actively reserched.

The tour in NTT west(3/4)-cable tunnel

- This place is strictly guarded
- The temperature is kept around 20°C
- Preparation for emergency



The tour in NTT west(4/4)-electric power equipments

- Provide electric power for as mentioned before
- Many things are prepared for emergency

After the tour...

- Learn many things about ICT
- Couldn't translate well..

Before the tour in server room

- Take an appointment
- Prepare documents for participants
- Recruit participants

Server room tour(1/2)

- Work of network office
- Internet connection
- Core switch

Server room tour(2/2)

- Monitoring server
- Security
- Switch in building & edge switch(in Chigenkan-building)

After the tour

- We could proceed it smoothly.
- We could learn about some machines in Doshisha.

Through this project

- There were something we couldn't do well.
- We could improve a lot of abilities.